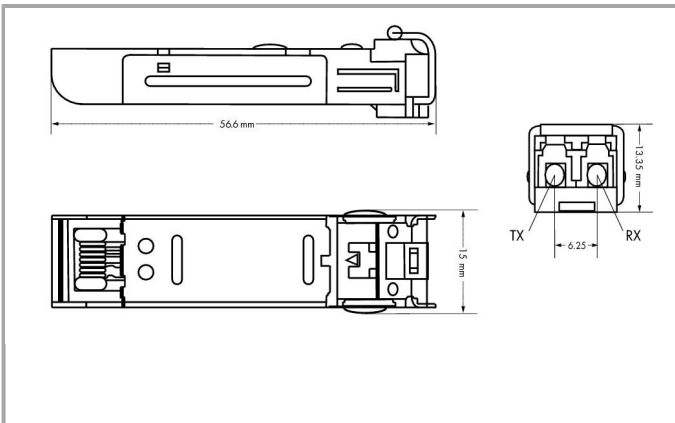
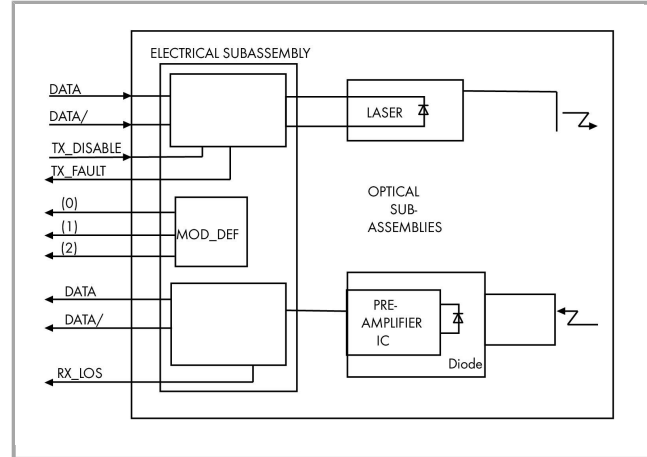




RoHS Compliant [BOMcheck.net](https://www.bomcheck.net)



Item description

Features:

- Duplex LC optical connector
- Small Form-Factor Pluggable (SFP) industry-standard design
- Compliant with Fast ETHERNET standard
- Differential LVPECL inputs and outputs
- Power supply: 3.3 V



- TTL signal detect indicator
- Hot-pluggable capability

Data

Technical Data

LWL-Fasertyp	Single-mode
--------------	-------------

Connection data

Connection technology: communication/fieldbus	1 x SFP, LC fiber-optic connectors
Anschlussanforderung zulässige Leitungslänge	30000 m
Connection requirement (permissible cable type)	Single-mode fiber 9/125 µm, wavelength 1310 nm

Geometrical Data

Width	13.4 mm / 0.528 inch
Height	13.3 mm / 0.524 inch
Depth	56.6 mm / 2.228 inch

Mechanical data

Weight	25.5 g
--------	--------

Environmental Requirements

Surrounding air (operating) temperature	0 ... 60 °C
Surrounding air (storage) temperature	-20 ... 80 °C

Commercial data

Country of origin	TW
GTIN	4045454635411
Customs Tariff No.	85176200000

Downloads

Documentation

Bid Text

852-201/107-030 Switche	Apr 4, 2012	doc 27.1 kB	Download
----------------------------	-------------	----------------	----------

Additional Information

Disposal; Electrical and electronic equipment, Packaging	V 1.0.0	pdf 265.8 kB	Download
--	---------	-----------------	----------



System Description

Industrial Switches – General Product Information

pdf
2.0 MB

[Download](#)

Subject to changes.
